

## SUBMITTAL SHEET

96F

# Stainless Steel Ball Valve with Locking Handle

The 96F Series Ball Valve is a full-port stainless steel ball valve that combines reliable operation with an all stainless steel body and trim. This model comes equipped with a locking handle to prevent unwanted usage. Features like these make the 96F series the superior choice for long-lasting performance and value. Ideal for saltwater applications, marine use, and coastal areas.

### Features:

- Blowout-proof stem design
- Corrosion resistant
- Reinforced Teflon seats
- Adjustable stem packing
- All stainless steel ball, stem, body, and handle
- Female pipe thread connections
- 100% tested during production
- Body constructed of 316 Stainless Steel for durability

### Performance Rating:

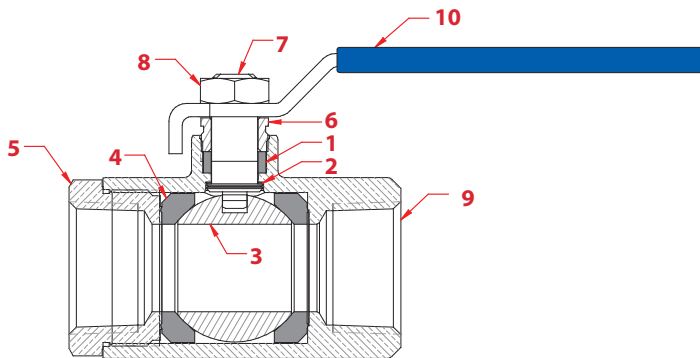
- Maximum working pressure: 1000 psi
- 150 psig for saturated steam
- Maximum temperature: 450° F

### Approvals:

- NSF 61
- NSF 372

### Installation:

Prior to installation, all debris must be flushed from the piping system. Examine the valve and remove any grit or foreign matter. The 96F Series Ball Valve may be installed in a vertical or horizontal pipe run. Apply pipe sealant compound or PTFE tape to the male pipe threads. Do not apply pipe sealant or tape to the female threads. Hand tighten the valve to the pipe and then wrench tighten with one ½ turn. Do not install a damaged valve.

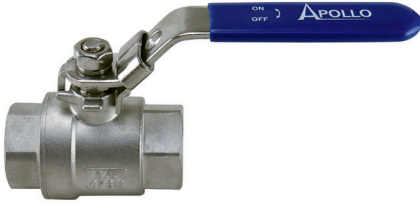


Job Name:	
Job Location:	
Engineer:	
Contractor:	
Tag:	
PO Number:	
Representative:	



### Standard Materials List:

1. Stem Packing	MPTFE
2. Stem Bearing	RPTFE
3. Ball	A276-316SS (1/2" to 2", except 1 1/4") A276-316SS or A351-CF8M Stainless (1 1/4")
4. Seat (2)	RPTFE
5. Retainer	ASTM A351-CF8M Stainless
6. Gland	A276-316 Stainless Steel
7. Stem	A276-316 Stainless Steel
8. Lever Nut	304 Stainless Steel
9. Body	A351-CF8M
10. Lever and Grip	SS w/vinyl
Body Seal	RPTFE



Threaded Stainless Steel Ball Valves							
Part Number	Description	H	W	D	Wt (lbs)	Carton Qty	UPC
96F10327	1/2 in. NPT	2.35	1.27	2.00	0.57	10	810053460399
96F10427	3/4 in. NPT	2.77	1.62	2.50	0.91	10	810053460405
96F10527	1 in. NPT	3.34	2.00	3.00	1.38	5	810053460412
96F10627	1¼ in. NPT	3.92	2.73	4.00	4.17	4	810053460429
96F10727	1½ in. NPT	4.10	2.92	4.30	4.69	4	810053460436
96F10827	2 in. NPT	4.74	3.75	5.00	6.90	2	810053460443

\*LEAD FREE: The wetted surfaces of this product shall contain no more than 0.25% lead by weighted average. Complies with Federal Public Law 111-380. ANSI 3rd party approved and listed.